



Concessionaire Guide to Measuring Space



Illinois State Fair and Du Quoin State Fair | Fair Administrative Rules and Regs Section 270.105 Measuring Space

Outside space will be measured from tie in to tie in, overhang to overhang, awning to awning or trailer hitch to bumper. Stands will be measured from lot line to lot line. Storage or service areas occupied by the lessee on either side of the main structure will be considered as part of the main structure in determining rental charge.

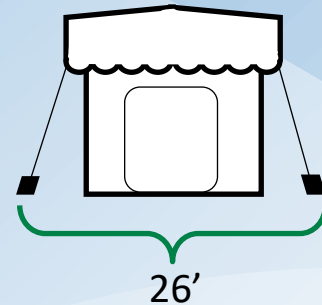
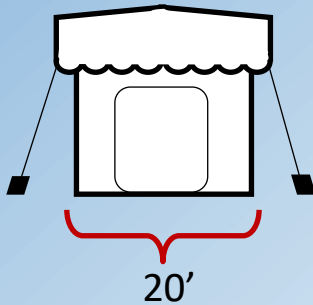
Questions should be directed to **Jill Fox**,
Space Rental **618.542.1511**
Jill.Fox@illinois.gov

Front footage is the side of your trailer or tent that you will be serving the public from. Be accurate on your footage request. Concessionaire MUST be INSIDE the front footage they pay for. If you exceed the front footage you applied for, you may have the option of paying for additional front footage upon set up, if additional space is available. If additional space is not available, you will be required to make sure your footprint is within the front footage you purchased.

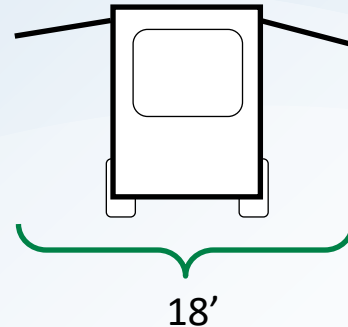
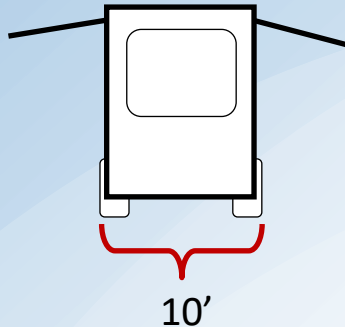
NO

YES

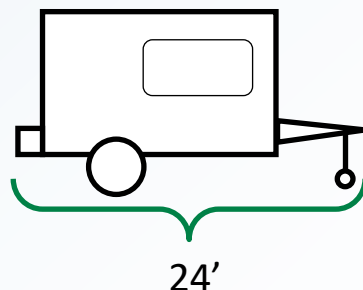
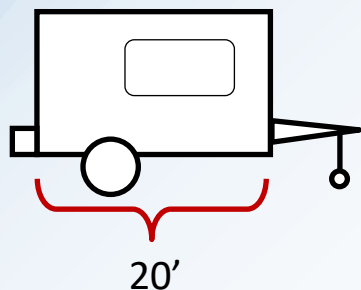
Outside space will be measured from tie in to tie in



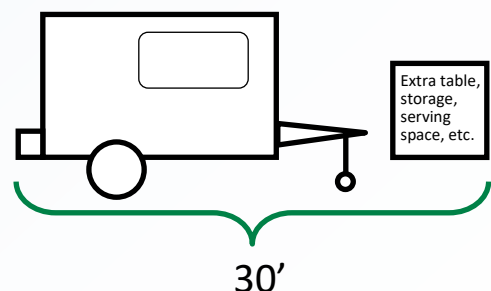
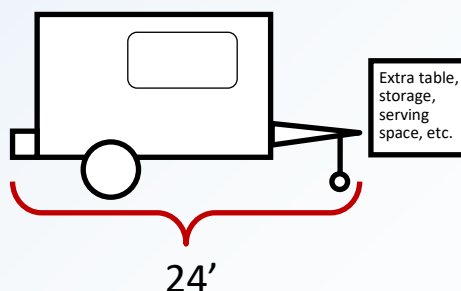
Outside space will be measured from overhang to overhang, awning to awning



Outside space will be measured trailer hitch to bumper



Storage or service areas will be considered as part of the main structure



Extra table, storage, serving space, etc.

Extra table, storage, serving space, etc.